



## Application

Kiber KSF progressive cavity pumps are used to transfer products of low and high viscosity as well as products containing soft particles.

They are also recommended for use with edible oils, wine, concentrates and beverages in general. They can also be used to transfer viscous food products.

## Design and features

KSF type is a sanitary progressive cavity pump.

Close-coupled construction with direct coupling to the drive.

Due to the design, they are self-priming and reversible.

Open transmission (hygienic design).

Excentric outlet.

## Technical specifications

### Materials:

Parts in contact with the product	Stainless steel AISI 316L (1.4404)
Other steel parts	Stainless steel AISI 304 (1.4301)
Flange support	GG-22
Stator	black NBR (according to FDA and EC 1935/2004)
Gaskets in contact with the product	FPM (according to FDA and EC 1935/2004)

Single internal mechanical seal EN 12756 I1k (according to FDA and EC 1935/2004):

Rotary part	Silicon carbide (SiC)
Stationary part	Carbon (C)
Gaskets	FPM

### Surface finish:

Internal	Bright polish, $Ra \leq 0,8 \mu m$
External	Matt

### Connections:

DIN 11851  
CLAMP  
SMS

### Operating limits (depending on the model):

Maximum flow	45 m <sup>3</sup> /h	198 US GPM
Maximum working pressure		
- single stage	6 bar	87 PSI
- double stage	12 bar	174 PSI
Maximum working temperature	85 °C (depending on materials)	185 °F
Maximum speed	1450 rpm	



**I Technical specifications**

Type	Capacity at 100 rev. [l]	Max. flow [m <sup>3</sup> /h]	Max. pressure [bar]		Max. speed [rpm]	Min. starting torque [Nm]	
			Single stage	Double stage		Single stage	Double stage
<b>KSF-20</b>	2,8	2,4	6	12	1450	18	30
<b>KSF-25</b>	6,7	3,8			950	20	36
<b>KSF-30</b>	9,8	5,6			950	25	45
<b>KSF-40</b>	23,7	13,5			950	45	80
<b>KSF-50</b>	45,1	19,5			720	70	125
<b>KSF-60</b>	82	24,6			500	110	190
<b>KSF-80</b>	185,4	44,5			400	150	260

**I Options**

Single flushed mechanical seal (Quench).

Mechanical seal: SiC/SiC.

Gland packing.

Stators: white EPDM and black NBR.

Gaskets: EPDM.

Other types of connections.

Heavy-duty transmission.

Fixed transmission.

Pump casing with heating jacket.

Stainless steel trolley.

Electrical control panel.

Bypass pressure relief valve.

Cleaning port (CIP).

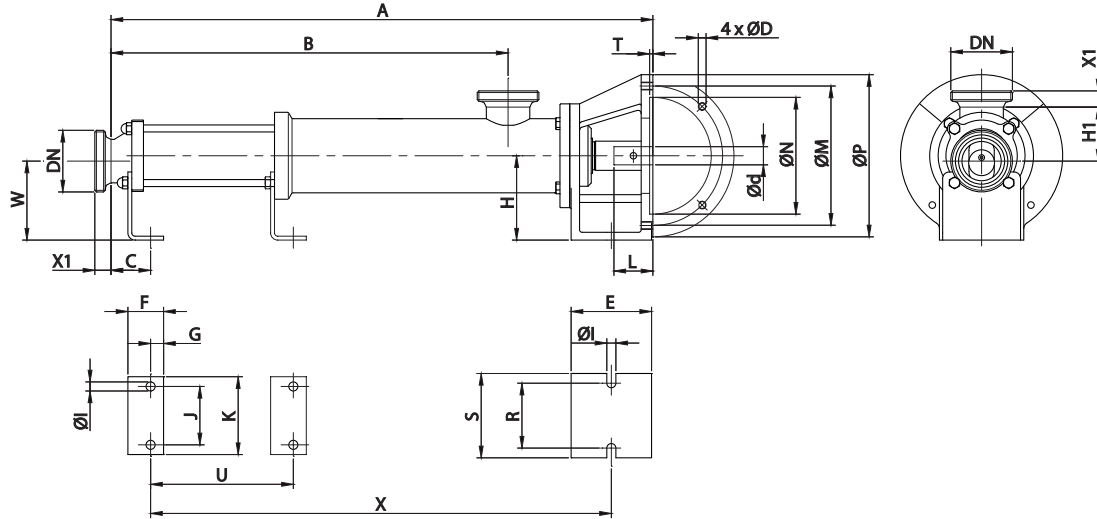
ATEX certification.

**I Dimensions**

Type	DN	DIN 11851	SMS	CLAMP OD
		X1		
<b>KSF-20</b> <b>2KSF-20</b>	40 1½"	22	23	14
<b>KSF-25</b> <b>2KSF-25</b>	50 2"	23	23	21
<b>KSF-30</b> <b>2KSF-30</b>	50 2"	23	23	21
<b>KSF-40</b> <b>2KSF-40</b>	65 2½"	25	27	20
<b>KSF-50</b> <b>2KSF-50</b>	80 3"	40	27	21
<b>KSF-60</b>	100 4"	30	30	21,5
<b>KSF-80</b>	100 4"	30	30	21,5



I Dimensions

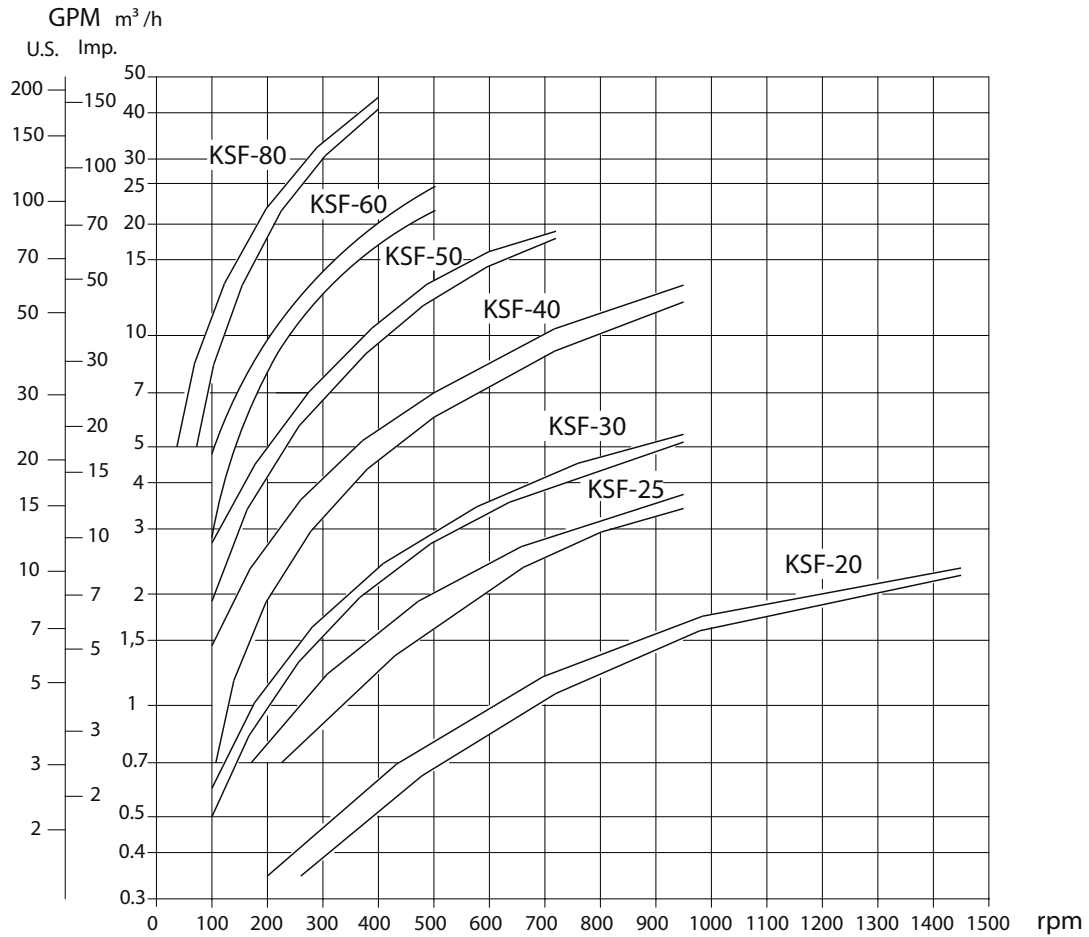


Type	DN	d		L		A	B	D	C	F	G	H	H1	I	J	K	M	N	P	R	S	T	U	X	W	Weight kg	
		min.	max.	min.	max.																						
KSF-20	40	19	24	42	52	465	302	M8	35	35	12	90	61	11	45	70	130	110	160	70	100	5	-	381	87	11	
2KSF-20	1½"					567	402																		481		12
KSF-25	50	24	28	52	62	600	416	M10	39	40	15	110	70	11	60	90	165	130	200	90	120	5	-	504	107	18	
2KSF-25	2"					692	508																		596		19
KSF-30	50	24	28	52	62	600	416	M10	39	40	15	110	73	11	60	90	165	130	200	90	120	5	-	504	104	19	
2KSF-30	2"					750	566																		654		20
KSF-40	65	24	30	52	72	835	612	M12	61	55	20	130	83	14	90	120	215	180	250	100	130	5	-	710	122	32	
2KSF-40	2½"					1025	802																		410	900	38
KSF-50	80	24	30	52	72	896	673	M12	65	55	20	130	88	14	90	120	215	180	250	100	130	5	-	767	117	36	
2KSF-50	3"					1150	927																		531	1021	45
KSF-60	100	35	42	72	112	1085	830	M12	70	60	20	160	119	18	130	170	265	230	300	150	190	5	-	953	146	68	
KSF-80	100	35	42	72	112	1215	960	M12	90	60	20	160	133	18	130	190	265	230	300	150	190	5	-	1063	132	85	



FT:KIBER\_KSF.1.EN-0317

**I Performance chart**



The information is for guidance only. We reserve the right to modify any material or feature without notice in advance. Photos are not binding. For further information, please, consult our web site. [www.inoxpa.com](http://www.inoxpa.com)



### I Application

Thanks to the hopper and auger, the KSFT progressive cavity pumps are suitable for pumping high viscosity products, doughs, pastes and liquids with suspended particles.

### I Design and features

KSFT type is a sanitary progressive cavity pump.  
 Close-coupled construction with direct coupling to the drive.  
 Pump casing with hopper.  
 Fixed transmission.  
 Eccentric outlet.

### I Technical specifications

**Materials:**  
 Parts in contact with the product      Stainless steel AISI 316L (1.4404)  
 Auger      Stainless steel AISI 304 (1.4301)  
 Other steel parts      Stainless steel AISI 304 (1.4301)  
 Flange support      GG-22  
 Stator      black NBR (according to FDA and EC 1935/2004)  
 Gaskets in contact with the product      FPM (according to FDA and EC 1935/2004)

Single internal mechanical seal EN 12756 I1k (according to FDA and EC 1935/2004):  
 Rotary part      Silicon carbide (SiC)  
 Stationary part      Carbon (C)  
 Gaskets      FPM

**Surface finish:**  
 Internal      Bright polish, except for electropolished auger  
 External      Matt

**Connections:**  
 DIN 11851  
 CLAMP  
 SMS

**Operating limits (depending on the model):**

Maximum flow	34 m <sup>3</sup> /h	148 US GPM
Maximum working pressure		
- single stage	6 bar	87 PSI
- double stage	12 bar	174 PSI
Maximum working temperature	85 °C (depending on materials)	185 °F
Maximum speed	500 rpm	



## I Technical specifications

Type	Capacity at 100 rev. [l]	Max. flow [m³/h]	Max. pressure [bar]		Max. speed [rpm]	Min. starting torque [Nm]	
			Single stage	Double stage		Single stage	Double stage
<b>KSFT-20</b>	2,8	0,82	6	12	500	18	30
<b>KSFT-25</b>	6,7	2			500	20	36
<b>KSFT-30</b>	9,8	2,9			500	25	45
<b>KSFT-40</b>	23,7	5,7			400	45	80
<b>KSFT-50</b>	45,1	9,5			350	70	125
<b>KSFT-60</b>	82	17,2			350	110	190
<b>KSFT-80</b>	185,4				300	150	260

## I Options

Single flushed mechanical seal (Quench).

Mechanical seal: SiC/SiC.

Gland packing.

Stators: white EPDM and black NBR.

Gaskets: EPDM.

Other types of connections.

Heavy-duty transmission.

Stainless steel trolley.

Electrical control panel.

Cleaning port (CIP).

ATEX certification.

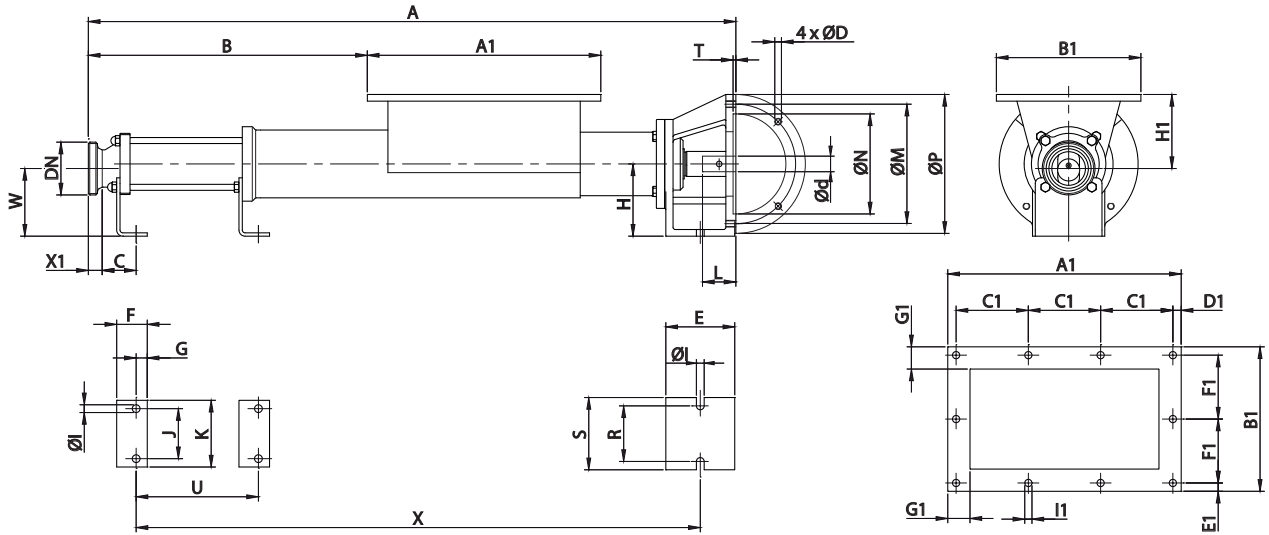
## I Dimensions

Type	A1	B1	C1	D1	E1	F1	G1	I1
<b>KSFT-20</b> <b>2KSFT-20</b>	300	210	70	10	10,5	63	25	10
<b>KSFT-25</b> <b>2KSFT-25</b>	365	250	69	10	10	57,5	30	12
<b>KSFT-30</b> <b>2KSFT-30</b>	365	250	69	10	10	57,5	30	12
<b>KSFT-40</b> <b>2KSFT-40</b>	420	260	130	15	15	115	40	14
<b>KSFT-50</b> <b>2KSFT-50</b>	420	260	130	15	15	115	40	14
<b>KSFT-60</b>	585	340	110	17,5	15,5	103	40	14
<b>KSFT-80</b>	585	340	110	17,5	15,5	103	40	14

Type	DN	DIN 11851	SMS	CLAMP OD
		X1		
<b>KSFT-20</b> <b>2KSFT-20</b>	40 1½"	22	23	14
<b>KSFT-25</b> <b>2KSFT-25</b>	50 2"	23	23	21
<b>KSFT-30</b> <b>2KSFT-30</b>	50 2"	23	23	21
<b>KSFT-40</b> <b>2KSFT-40</b>	65 2½"	25	27	20
<b>KSFT-50</b> <b>2KSFT-50</b>	80 3"	40	27	21
<b>KSFT-60</b>	100 4"	30	30	21,5
<b>KSFT-80</b>	100 4"	30	30	21,5



## I Dimensions



Type	DN	d		L		A	B	C	D	E	F	G	H	H1	I	J	K	M	N	P	R	S	T	U	X	W	Weight kg
		min.	max.	min.	max.																						
KSFT-20	40	19	24	42	52	667	222	35	M8	101	35	12	90	88	11	45	70	130	110	160	70	100	5	105	581	87	11
2KSFT-20	1½"	19	24	42	52	767	322																				
KSFT-25	50	24	28	52	62	835	308	39	M10	110	40	15	110	128	11	60	90	165	130	200	90	120	5	166	739	107	18
2KSFT-25	2"	24	28	52	62	927	400																				
KSFT-30	50	24	28	52	62	835	308	39	M10	110	40	15	110	131	11	60	90	165	130	200	90	120	5	166	739	104	19
2KSFT-30	2"	24	28	52	62	985	458																				
KSFT-40	65	24	30	52	72	1050	427	61	M12	124	55	20	130	133	14	90	120	215	180	250	100	130	5	223	925	122	32
2KSFT-40	2½"	24	30	52	72	1240	617																				
KSFT-50	80	24	30	52	72	1111	488	65	M12	124	55	20	130	138	14	90	120	215	180	250	100	130	5	280	982	117	36
2KSFT-50	3"	24	30	52	72	1365	742																				
KSFT-60	100	35	42	72	112	1415	613	70	M12	121	60	20	160	174	18	130	170	265	230	300	150	190	5	330	1283	146	68
KSFT-80	100	35	42	72	112	1545	473	90	M12	121	60	20	160	188	18	130	190	265	230	300	150	190	5	440	1393	132	85



FT:KIBER\_KSFT.1.EN-0317

**I Performance chart**

